

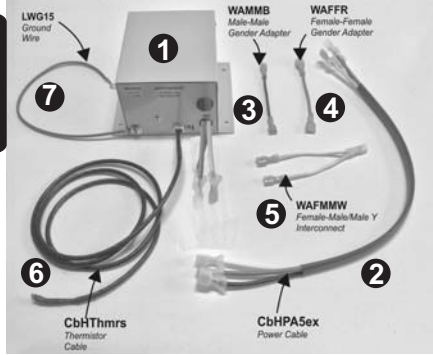


ACC_A5 Simple Fan Installation

Step #1

NOTE: This installation to be performed in accordance with all the necessary safety regulations by qualified service personnel only.

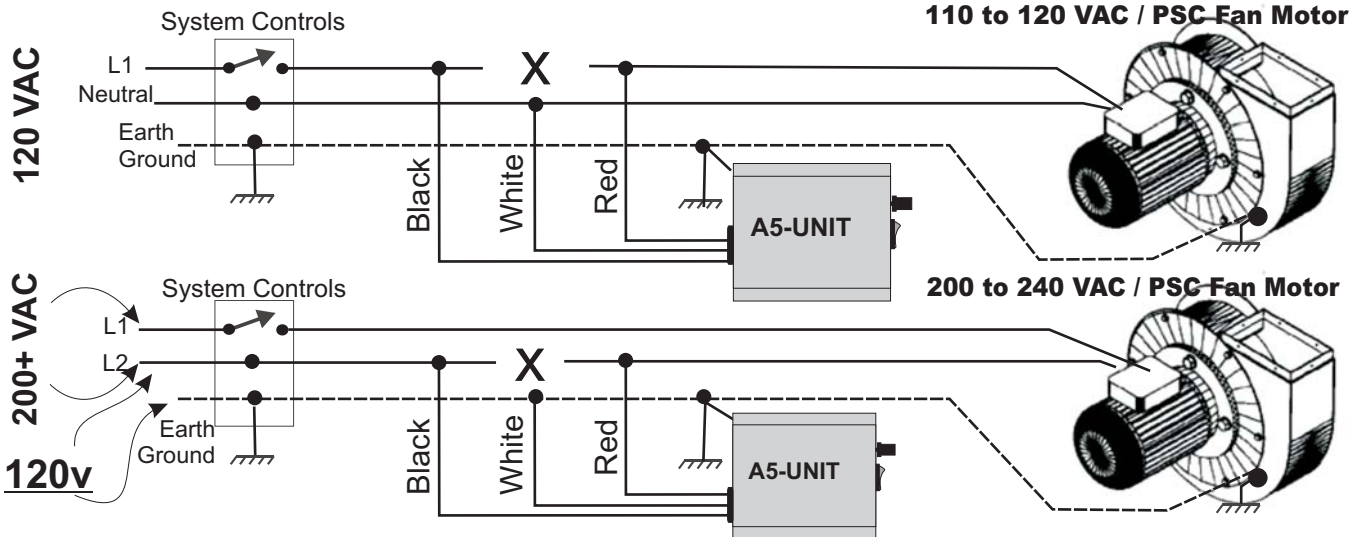
- ▶ Open ACC_A5 package
- ▶ Examine contents
- ▶ Insure all components are present and not damaged
- ▶ Please refer to the photo



ACC_A5 Package List

- 1 ACC_A5 UNIT
- 2 Power Cable Extension
- 3 (") Adapter: Male-Male
- 4 (") Adapter: Female-Female
- 5 "Y" Adapter: Female/ Male/ Male
- 6 Temperature Cable (4pin)
- 7 Ground Wire Attached

Step #2 — ELECTRICAL HOOKUP



Step #3 — FRONT PANEL

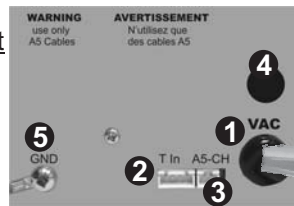
- 1 A5 UNIT ON / BYPASS Power Switch
- 2 Speed Knob = Manual Override Control of fan speed. Also used to set minimum idle speed of fan motor in "AUTO." (Minimum Idle RPM set ~ 200+ rpms)



- 3 Manual / Auto Switch:
 - When in Manual, Temperature Control is Disabled. 0-10 input function is not.
 - When in Auto, Temperature Control is Enabled, all other functions remain the same
- 4 LED Energy Use Indicator

Step #4 — REAR PANEL

- 1 VAC= 3 Wire Input & Motor Power Connect "120v, 200v, or 277v Must = Motor Voltage"
- 2 "T-In"= Low Voltage Temp Input Control Temperature Input cable [see above item 6]



- 3 "V-In" = Optional 0-10vdc Input; Low Voltage External Motor Control
- 4 Expansion Port (Not currently used)
- 5 Ground Wire ... Verify screw is tight.

Step #5 — TEMPERATURE Sensor PROBE PLACEMENT

Temperature Sensor Probe Placement :

- Temperature Sensor Probe is placed in the Discharge / Supply air stream
- Locate sensor where the Proper Air Temperature was measured Prior to Upgrade.
- For cooling: Supply - Air Temp Sensor location Must be 55 degrees F (or lower),
- For heating: Supply - Air Temp Sensor location Must be 100 degrees F (or hotter).

Temp Sensor Probe Must be placed in an Discharge Air area where there's good air flow and secured in so that it stays in place and will not become dislodged.

